

## Datasheet

Next-generation technology and smart innovations for a more connected, keyless building experience.

**SALTO**  
inspired access



Publications of SALTO SYSTEMS S.L. are protected by copyright and all rights are reserved. SALTO SYSTEMS publications may not be reproduced in any form or by any means without written permission from the copyright owner.

### SALTO Neo - European Cylinder NxEx

Technical specifications:

The SALTO Neo European cylinder is specially designed to fit most Euro doors that are equipped with a European profile cylinder mortise lock.

**saltosystems**  
**.com**

## TECHNICAL DATA:

Housing dimensions:	39mm x 47mm x 32mm
IP class:	Indoor version. Outdoor version IP66 (optional).
Body length:	30/10, special lengths with 5mm increments each side possible.
Cam options	15 mm cam (DIN) 13,2 mm cam (Spain) 14,3 mm cam (UK) 10 and 13 teeth cogwheel cam
Neck length options:	3,6 mm (standard) 8,6 mm (+5mm model) 13,6 mm (+10 mm model)
Power source:	4 LR1 alkaline batteries
Number of openings:	Up to 130.000
Maximum events on lock audit:	2 250 (SVN standalone mode) 1 850 (SVN BLUEnet mode) 1 450 (SALTO KS mode)
Environmental conditions (without condensation)	-20°C / +55°C
Certifications:	CE, FCC/IC, UKCA, ACMA, EAC, MIC, IMDA, NCC, KCC, SKG***, EN 15684, EN 1634-1 - E120 - EI90 - EI60

## OPENING MODES\*:

Standard:	•
Office mode:	•
Timed office:	•
Automatic opening:	•
Automatic opening + office:	•
Toggle:	•
Timed Toggle:	•
Amok mode:	—
Exit leaves open mode:	—

\* Depending on the platform.

## CREDENTIAL TECHNOLOGIES:

JustIN Mobile Credentials <sup>1</sup> :	•
NXP MIFARE <sup>®</sup> 2:	•
HID <sup>®</sup> 3:	•

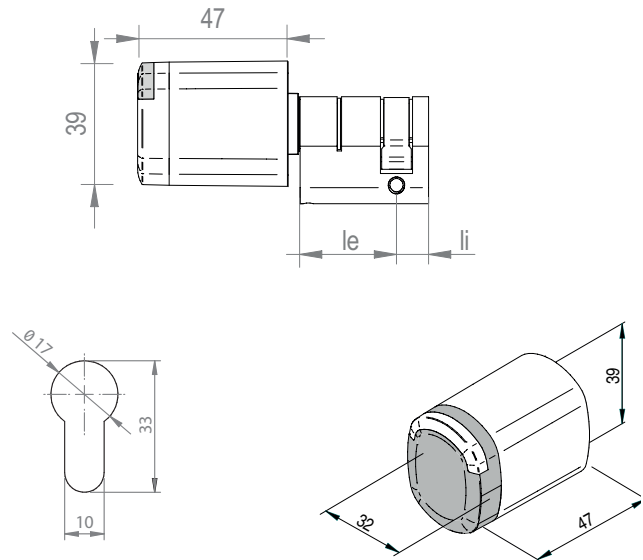
<sup>1</sup> Bluetooth Digital Key and Near Field Communication (NFC) capability.

<sup>2</sup> MIFARE<sup>®</sup> DESFire<sup>®</sup> EV1/EV2/ EV3, MIFARE<sup>®</sup> Plus, MIFARE<sup>®</sup> Ultralight C, MIFARE<sup>®</sup> Classic.

<sup>3</sup> iCLASS<sup>®</sup>, Seos<sup>®</sup>.



## TECHNICAL DRAWING:



## SALTO PLATFORMS:

	S <sup>1</sup>	KS <sup>2</sup>	H <sup>3</sup>
SVN data-on-card	•	—	•
JustIN Mobile	•	•	•
BLUEnet Wireless	• <sup>4</sup>	•	•
Apple Wallet	—	—	•

<sup>1</sup> SALTO Space. On-premise access control platform.

<sup>2</sup> SALTO KS. Cloud-based access control platform.

<sup>3</sup> SALTO Homelok. Cloud-based access control platform.

<sup>4</sup> RFnet Wireless versions are Not Compatible.

## OPTIONS:

### READER COLOUR:

Black:	•
White:	•

### Finish:

CS Satin Chrome - BHMA682 US26D	•
CP Polished Chrome - BHMA681 US36	•
PM PVD satin brass type - BHMA732 US4	•
PP PVD bright brass type - BHMA729 US3	•
NE Black chromium* - BHMA685	•
BC Biocote anti-microbial	•

\* Just applies to the knob and thumbturn. Cylinder body is always in Nickel finish.



**TECHNICAL DATA:**

Housing dimensions:	39mm x 47mm x 32mm
IP class:	Indoor version. Outdoor version IP66 (optional).
Body length:	30/30 (shorter inner dimension possible), special lengths with 5mm-150mm increments each side possible.
Cam options	15 mm cam (DIN) 13,2 mm cam (Spain) 14,3 mm cam (UK) 10 and 13 teeth cogwheel cam
Neck length options:	3,6 mm (standard) 8,6 mm (+5mm model) 13,6 mm (+10 mm model)
Power source:	4 LR1 alkaline batteries
Number of openings:	Up to 130.000
Maximum events on lock audit:	2 250 (SVN standalone mode) 1 850 (SVN BLUEnet mode) 1 450 (SALTO KS mode)
Environmental conditions (without condensation)	-20°C / +55°C
Certifications:	CE, FCC/IC, UKCA, ACMA, EAC, MIC, IMDA, NCC, KCC, SKG***, EN 15684, EN 1634-1 - E120 - EI90 - EI60

**OPENING MODES\*:**

Standard:	•
Office mode:	•
Timed office:	•
Automatic opening:	•
Automatic opening + office:	•
Toggle:	•
Timed Toggle:	•
Amok mode:	—
Exit leaves open mode:	—

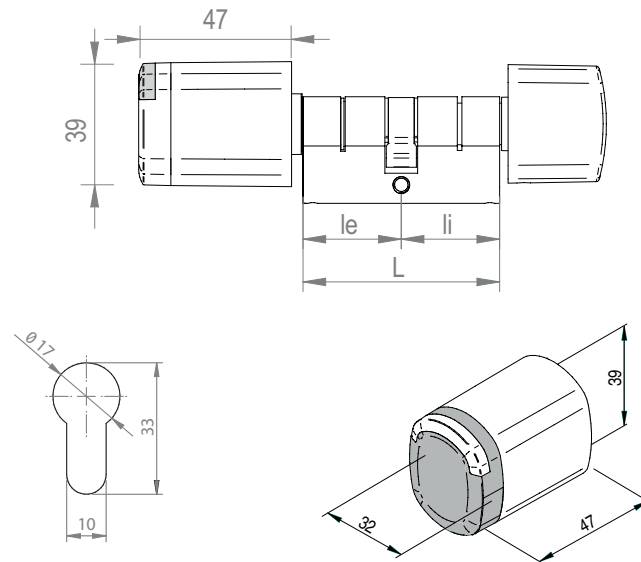
\* Depending on the platform.

**CREDENTIAL TECHNOLOGIES:**

JustIN Mobile Credentials <sup>1</sup> :	•
NXP MIFARE <sup>®2</sup> :	•
HID <sup>®3</sup> :	•

<sup>1</sup> Bluetooth Digital Key and Near Field Communication (NFC) capability.  
<sup>2</sup> MIFARE<sup>®</sup> DESFire<sup>®</sup> EV1/EV2/ EV3, MIFARE<sup>®</sup> Plus, MIFARE<sup>®</sup> Ultralight C, MIFARE<sup>®</sup> Classic.  
<sup>3</sup> iCLASS<sup>®</sup>, Seos<sup>®</sup>.

**TECHNICAL DRAWING:**



**SALTO PLATFORMS:**

	S <sup>1</sup>	KS <sup>2</sup>	H <sup>3</sup>
SVN data-on-card	•	—	•
JustIN Mobile	•	•	•
BLUEnet Wireless	• <sup>4</sup>	•	•
Apple Wallet	—	—	•

<sup>1</sup> SALTO Space. On-premise access control platform.  
<sup>2</sup> SALTO KS. Cloud-based access control platform.  
<sup>3</sup> SALTO Homelok. Cloud-based access control platform.  
<sup>4</sup> RFnet Wireless versions are Not Compatible.

**OPTIONS:**

**READER COLOUR:**

Black:	•
White:	•

**Finish:**

CS Satin Chrome - BHMA682 US26D	•
CP Polished Chrome - BHMA681 US36	•
PM PVD satin brass type - BHMA732 US4	•
PP PVD bright brass type - BHMA729 US3	•
NE Black chromium* - BHMA685	•
BC Biocote anti-microbial	•

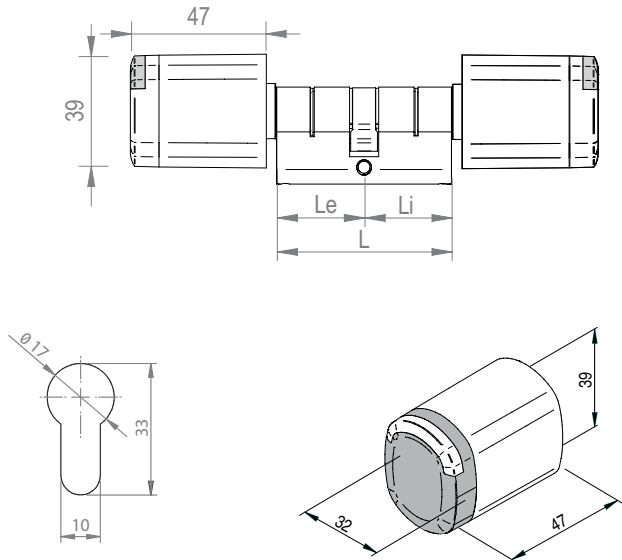
\* Just applies to the knob and thumbturn. Cylinder body is always in Nickel finish.



**TECHNICAL DATA:**

Housing dimensions:	39mm x 47mm x 32mm
IP class:	Indoor version. Outdoor version IP66 (optional).
Body length:	30/30, special lengths with 5mm-145mm increments each side possible.
Cam options	15 mm cam (DIN) 13,2 mm cam (Spain) 14,3 mm cam (UK) 10 and 13 teeth cogwheel cam
Neck length options:	3,6 mm (standard) 8,6 mm (+5mm model) 13,6 mm (+10 mm model)
Power source:	4 LR1 alkaline batteries
Number of openings:	Up to 130.000
Maximum events on lock audit:	2 250 (SVN standalone mode) 1 850 (SVN BLUEnet mode) 1 450 (SALTO KS mode)
Environmental conditions (without condensation)	-20°C / +55°C
Certifications:	CE, FCC/IC, UKCA, ACMA, EAC, MIC, IMDA, NCC, KCC, SKG***, EN 15684, EN 1634-1 - E120 - EI90 - EI60

**TECHNICAL DRAWING:**



**OPENING MODES\*:**

Standard:	•
Office mode:	•
Timed office:	•
Automatic opening:	•
Automatic opening + office:	•
Toggle:	•
Timed Toggle:	•
Amok mode:	—
Exit leaves open mode:	—

\* Depending on the platform.

**CREDENTIAL TECHNOLOGIES:**

JustIN Mobile Credentials <sup>1</sup> :	•
NXP MIFARE <sup>®2</sup> :	•
HID <sup>®3</sup> :	•

<sup>1</sup> Bluetooth Digital Key and Near Field Communication (NFC) capability.  
<sup>2</sup> MIFARE<sup>®</sup> DESFire<sup>®</sup> EV1/EV2/ EV3, MIFARE<sup>®</sup> Plus, MIFARE<sup>®</sup> Ultralight C, MIFARE<sup>®</sup> Classic.  
<sup>3</sup> iCLASS<sup>®</sup>, Seos<sup>®</sup>.

**SALTO PLATFORMS:**

	S <sup>1</sup>	KS <sup>2</sup>	H <sup>3</sup>
SVN data-on-card	•	—	•
JustIN Mobile	•	•	•
BLUEnet Wireless	• <sup>4</sup>	•	•
Apple Wallet	—	—	•

<sup>1</sup> SALTO Space. On-premise access control platform.  
<sup>2</sup> SALTO KS. Cloud-based access control platform.  
<sup>3</sup> SALTO Homelok. Cloud-based access control platform.  
<sup>4</sup> RFnet Wireless versions are Not Compatible.

**OPTIONS:**

**READER COLOUR:**

Black:	•
White:	•

**Finish:**

CS Satin Chrome - BHMA682 US26D	•
CP Polished Chrome - BHMA681 US36	•
PM PVD satin brass type - BHMA732 US4	•
PP PVD bright brass type - BHMA729 US3	•
NE Black chromium* - BHMA685	•
BC Biocote anti-microbial	•

\* Just applies to the knob and thumbturn. Cylinder body is always in Nickel finish.



---

## **SALTO Systems.**

Get in touch with our team.

Give us a brief summary of your needs, your next project and we'll get back to you.

Spain, UK, France, Germany, Switzerland, The Netherlands, Belgium, Poland, Slovakia, Slovenia, Czech Republic, Denmark, Norway, Sweden, Finland, Italy, Portugal, US (NYC - Atlanta - LV), Canada, Mexico, Costa Rica, Colombia, Puerto Rico, Chile, UAE, India, South Africa, Singapore, China, Hong Kong, Korea, Vietnam, Australia, New Zealand.

**saltosystems  
.com**